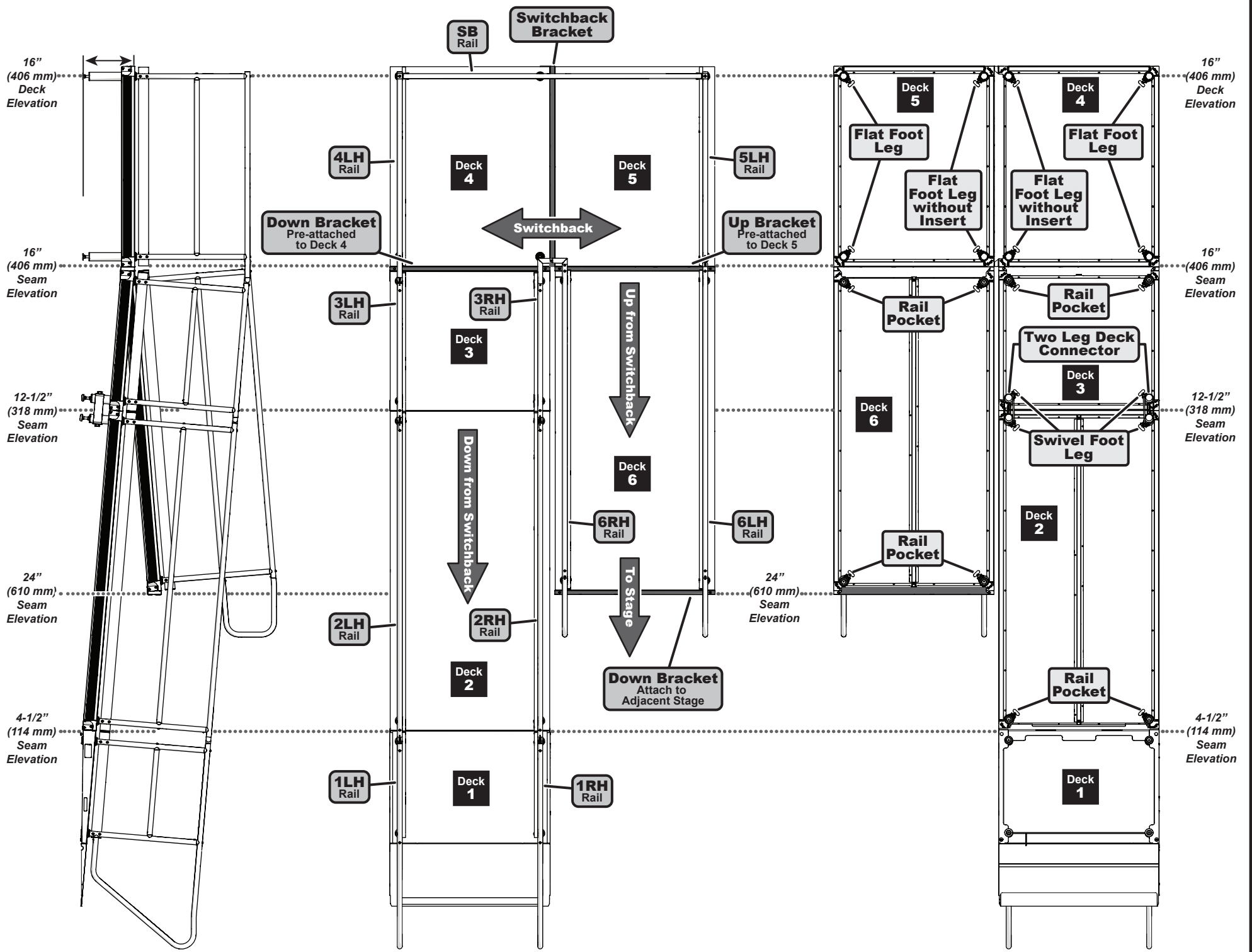
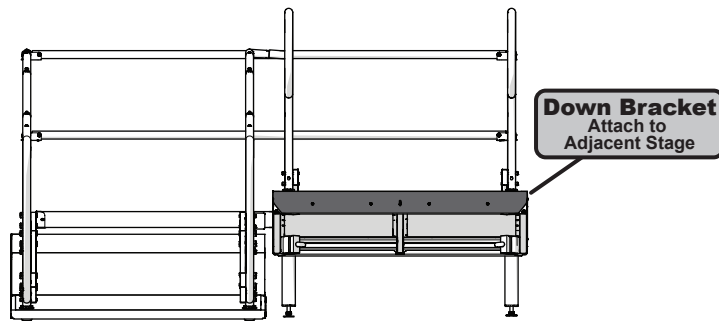


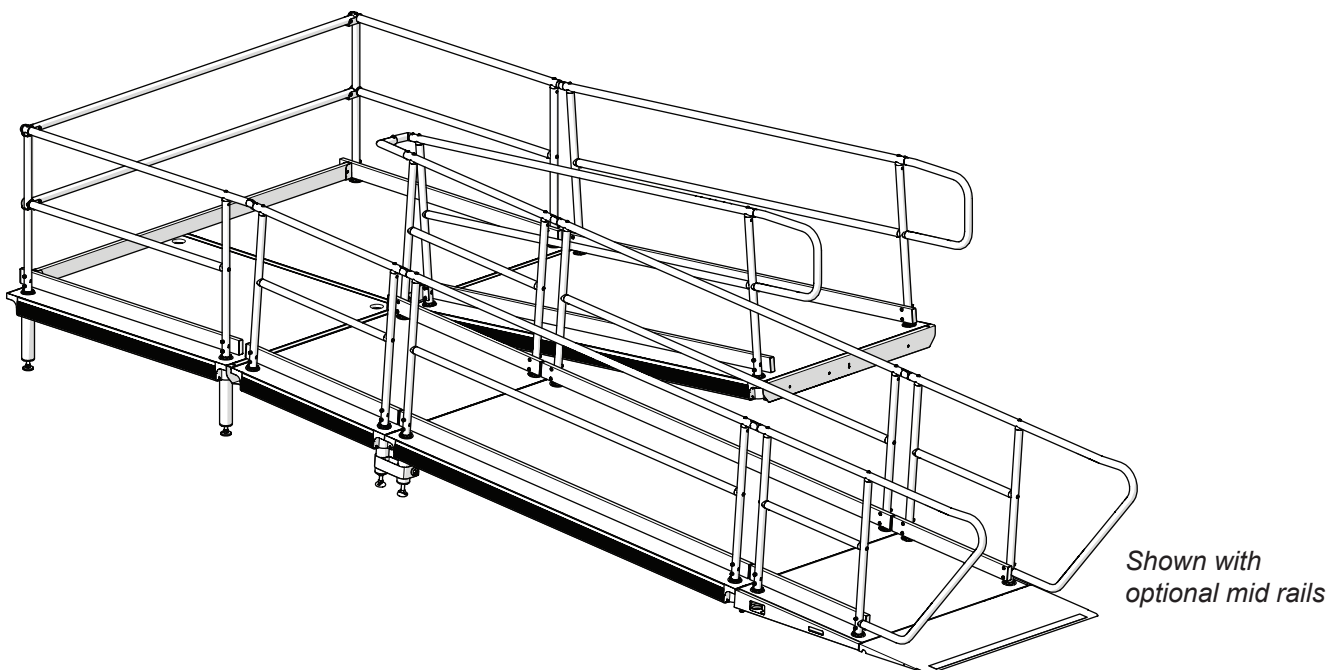
ADA Ramp - Deck and Leg Set Up Guide for 282A018 - 24" (610 mm) Elevation Ramp with Right Hand Switchback



Leg heights may need to be adjusted to accommodate elevation changes and differences.



This guide shows assembled component placement only, see the assembly instructions for assembly procedures.



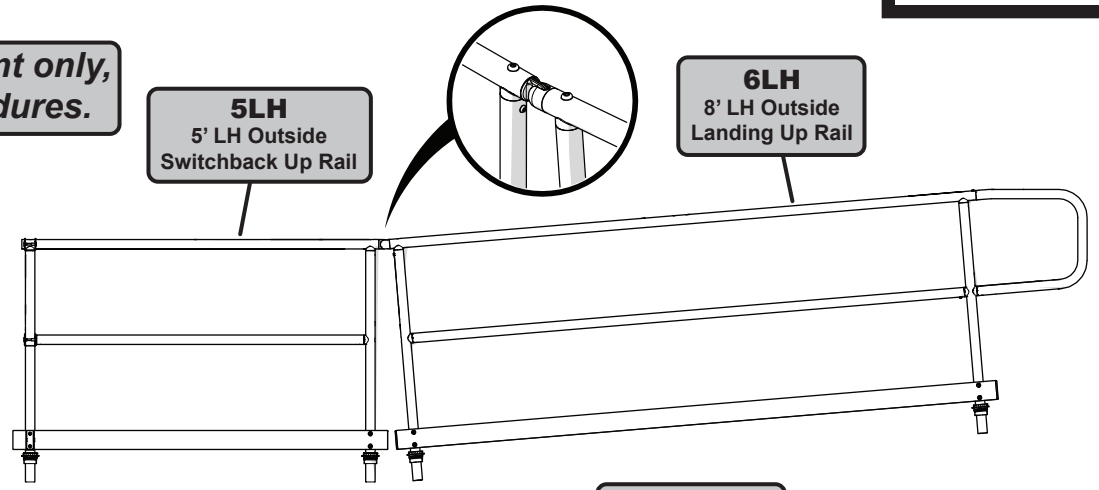
Wenger Corporation
555 Park Drive, PO Box 448
Owatonna, MN 55060
(800) 4WENGER (493-6437) | +1-507-455-4100
wengercorp.com

Wenger®

ADA Ramp - Rail Set Up Guide

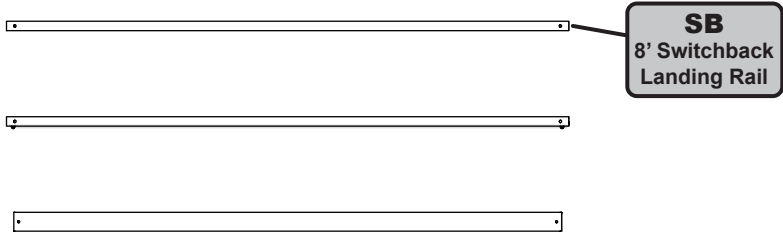
for 282A018 - 24" (610 mm) Elevation Ramp with Right Hand Switchback

This guide shows assembled component placement only, see the assembly instructions for assembly procedures.

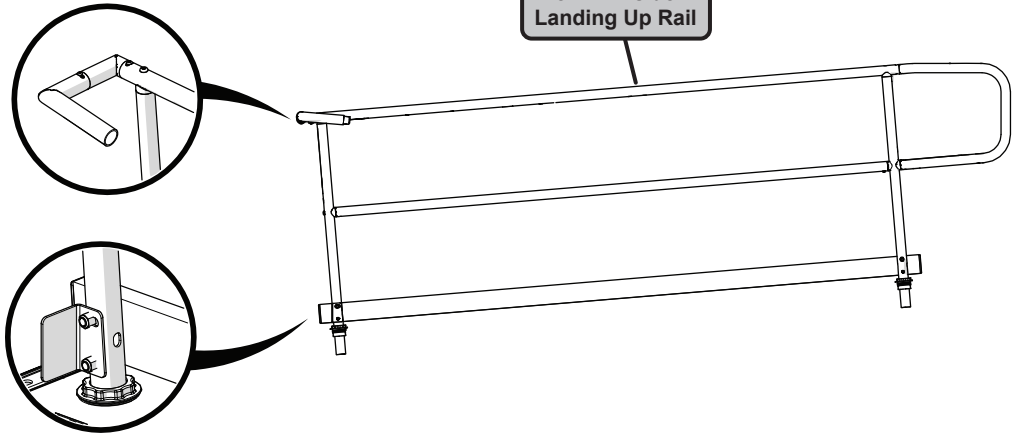


5LH
5' LH Outside
Switchback Up Rail

6LH
8' LH Outside
Landing Up Rail

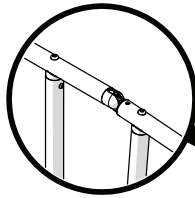


SB
8' Switchback
Landing Rail

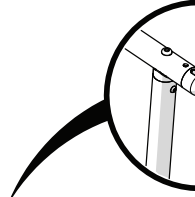


6RH
8' RH Inside
Landing Up Rail

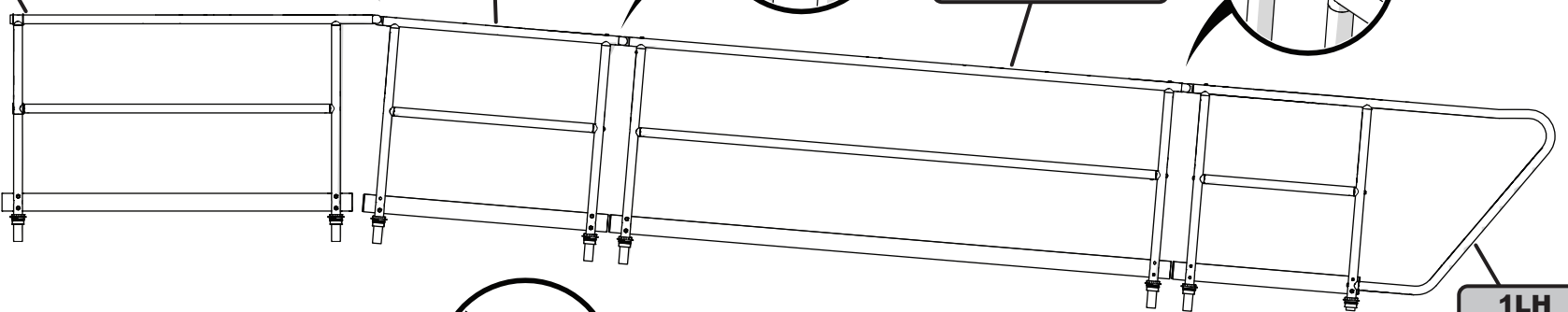
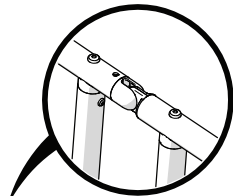
4LH
5' LH Outside
Switchback Landing
Down Rail



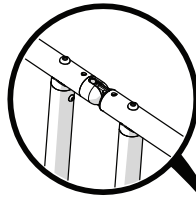
3LH
42" LH Outside
Switchback Landing
Down Rail



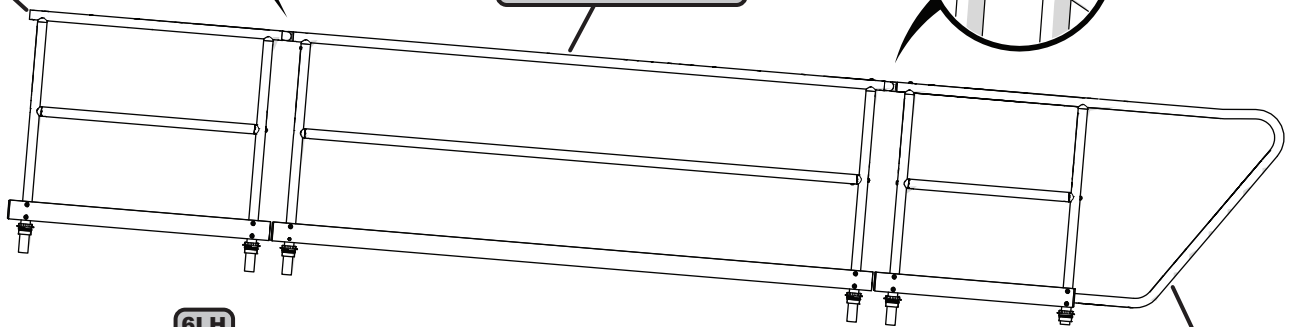
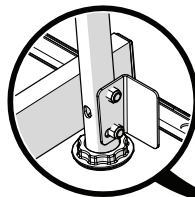
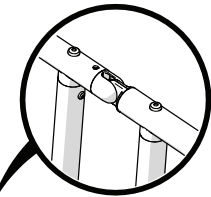
2LH
8' RH Outside
Switchback Down Rail



3RH
42" RH Inside
Switchback Landing
Down Rail

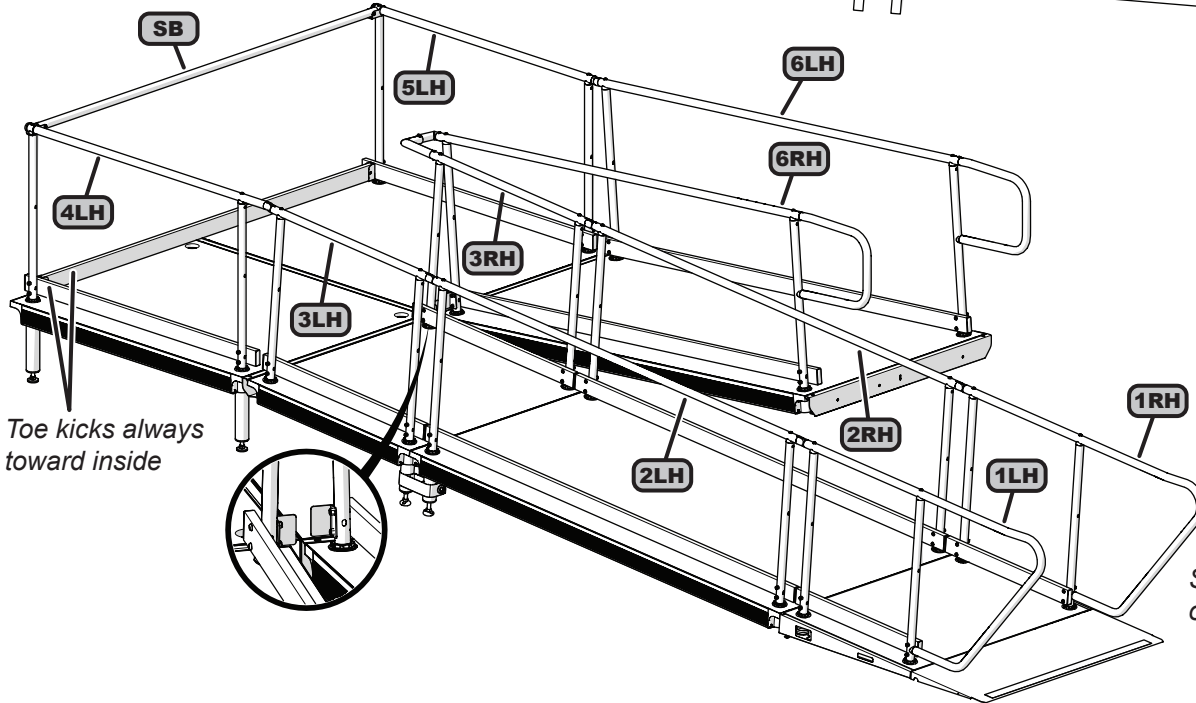


2RH
8' RH Inside
Switchback Down Rail



1LH
Approach
Outside Rail

1RH
Approach
Inside Rail



Toe kicks always
toward inside

Shown without
optional mid rails

Wenger Corporation
555 Park Drive, PO Box 448
Owatonna, MN 55060
(800) 4WENGER (493-6437) | +1-507-455-4100
wengercorp.com

Wenger[®]